

Series "E" - Slide Gates

"TPS" - Tube & Pipe Stubs

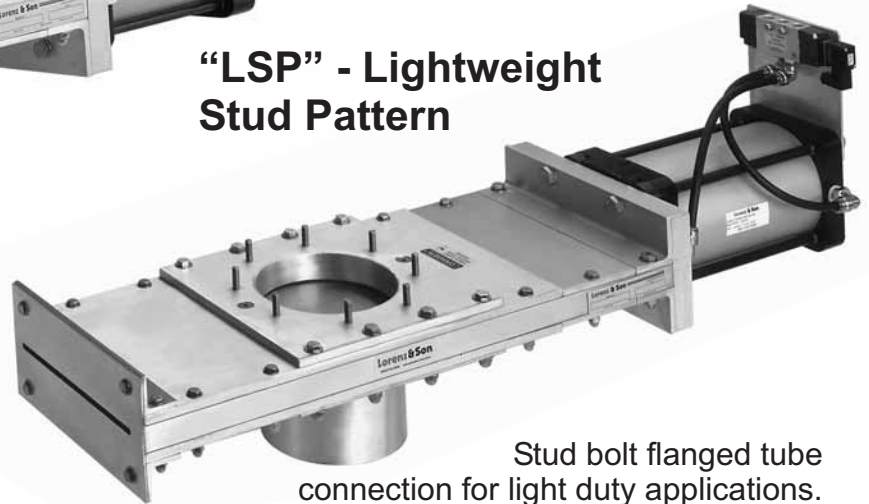


Tube & pipe stubs for compression couplings.

Pneumatic actuated slide gate for vacuum or low pressure* conveying systems.

*(Dilute phase up to 15 psig max)

"LSP" - Lightweight Stud Pattern



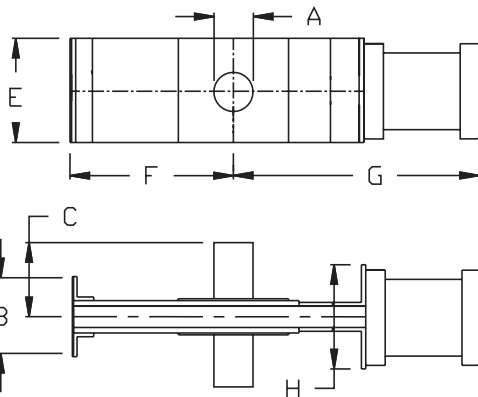
Stud bolt flanged tube connection for light duty applications.

Standard Features

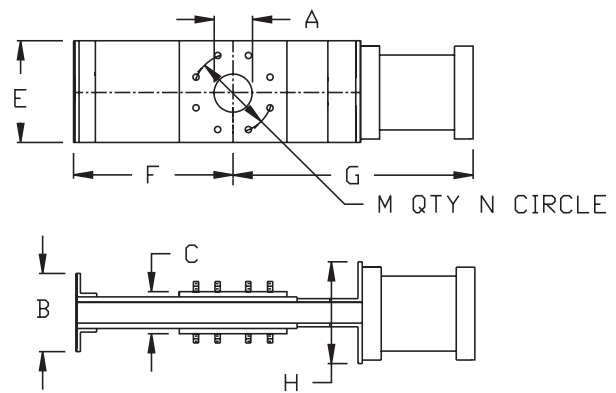
- Positive blade lock (PBL) between blade & cylinder rod
 - Internal magnetic piston, cushioned air cylinder
 - Polished stainless steel blade
 - Light weight aluminum body construction
 - Temperature rated for up to 82°C (180°F)
 - Lightweight, durable air cylinder
- Double acting or single acting spring return solenoid or Manual lever valve
 - NEMA 4 water tight & dust tight electrics
- Wall thicknesses of 16, 14 & 11 gauge, schedule 10, 40 & 80
 - Fully tested prior to shipping

Series "E" - Slide Gates

"TPS" - Tube & Pipe Stubs



"LSP" - Lightweight Stud Pattern



Orifice conforms to inside diameter of pipe or tube						
A	B	C	E	F	G	H
1 1/2 OD	4 7/8	4	5	4 5/8	13 1/4	5
2 OD	4 7/8	4	5	4 5/8	13 1/4	5
2 3/16 OD	4 7/8	4	6	5	15 1/8	5
2 3/8 OD	4 7/8	4	6	5	15 1/8	5
2 1/2 OD	4 7/8	4	6	5 3/4	16	5
2 7/8 OD	4 7/8	4	6	5 3/4	16	5
3 OD	4 7/8	4	6	5 7/8	16	5
3 1/2 OD	4 7/8	6	7	7 7/8	20	5
4 OD	4 7/8	4	7	7 7/8	20	5
4 1/2 OD	4 7/8	6	9	8 1/2	22 1/2	5
5 OD	4 7/8	5	9	10 1/8	24	5
5 9/16 OD	4 7/8	5	10	10 1/8	24	5
6 OD	4 7/8	5	10	11 1/8	25 1/2	5
6 5/8 OD	4 7/8	7	11	12	26 3/4	5
8 OD	4 7/8	9	12	14 1/8	30 1/2	5
8 5/8 OD	4 7/8	9	13	14 1/2	30 3/4	5
10 OD	5 7/8	9	14	17 3/8	35 5/8	7
10 3/4 OD	5 7/8	9	14	17 3/8	35 5/8	7
12 OD	5 7/8	9	16	20 7/8	41 1/4	7
12 3/4 OD	5 7/8	9	16	20 7/8	41 1/4	7
14 OD	5 7/8	9	18	23 5/8	46	7

All dimensions in inches

Orifice conforms to inside diameter of pipe or tube							FLANGE DIMENSIONS		THREAD SIZE, STUD LENGTH	
A	B	C	E	F	G	H	M	N		
2 OD	4 7/8	2 7/8	5	4 5/8	13 1/4	5	4	3 7/8	5/16 - 18 NC	7/8
2 3/16 OD	4 7/8	2 7/8	6	5	15 1/8	5	4	3 7/8	5/16 - 18 NC	7/8
2 3/8 OD	4 7/8	2 7/8	6	5	15 1/8	5	4	3 7/8	5/16 - 18 NC	7/8
2 1/2 OD	4 7/8	2 7/8	6	5 3/4	16	5	4	3 7/8	5/16 - 18 NC	7/8
2 7/8 OD	4 7/8	2 7/8	6	5 3/4	16	5	4	3 7/8	5/16 - 18 NC	7/8
3 OD	4 7/8	2 7/8	6	6 7/8	16	5	4	5	5/16 - 18 NC	7/8
3 1/2 OD	4 7/8	2 7/8	7	7 7/8	20	5	4	5	5/16 - 18 NC	7/8
4 OD	4 7/8	2 7/8	7	7 7/8	20	5	6	5 1/2	5/16 - 18 NC	7/8
4 1/2 OD	4 7/8	2 7/8	9	8 1/2	22 1/2	5	6	5 1/2	5/16 - 18 NC	7/8
5 OD	4 7/8	2 7/8	9	10 1/8	24	5	8	6 1/2	5/16 - 18 NC	7/8
5 9/16 OD	4 7/8	2 7/8	10	10 1/8	24	5	8	6 1/2	5/16 - 18 NC	7/8
6 OD	4 7/8	2 7/8	10	11 1/8	25 1/2	5	8	7 1/2	5/16 - 18 NC	7/8
6 5/8 OD	4 7/8	2 7/8	11	12	26 3/4	5	8	7 1/2	5/16 - 18 NC	7/8
8 OD	4 7/8	2 7/8	12	14 1/8	30 1/2	5	8	9 1/2	5/16 - 18 NC	7/8
10 OD	5 7/8	2 7/8	14	17 3/8	35 5/8	7	8	11 1/2	5/16 - 18 NC	7/8
10 3/4 OD	5 7/8	2 7/8	14	17 3/8	35 5/8	7	12	11 1/2	5/16 - 18 NC	7/8
12 OD	5 7/8	2 7/8	16	20 7/8	41 1/4	7	12	13 13/16	5/16 - 18 NC	7/8
12 3/4 OD	5 7/8	2 7/8	16	20 7/8	41 1/4	7	12	13 13/16	5/16 - 18 NC	7/8
14 OD	5 7/8	3	18	23 5/8	46	7	12	16	5/16 - 18 NC	7/8