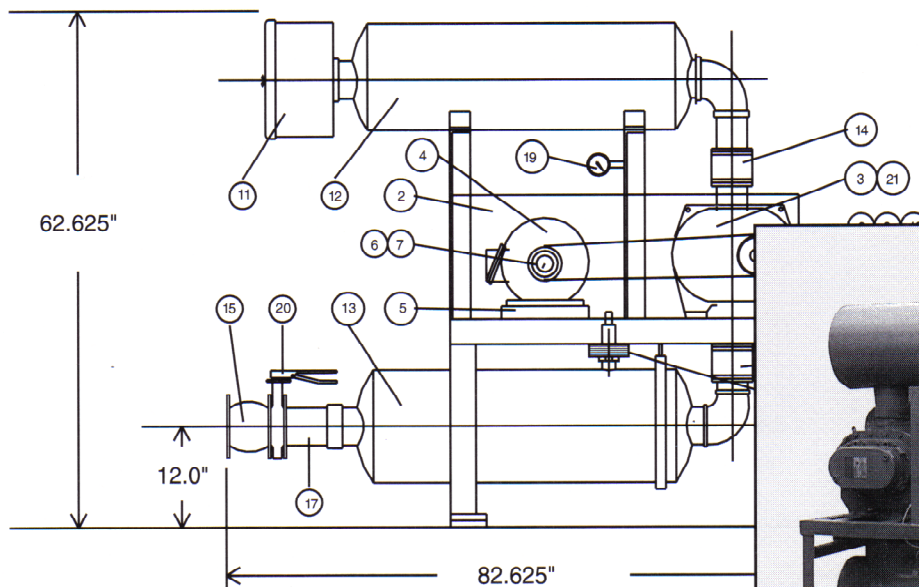
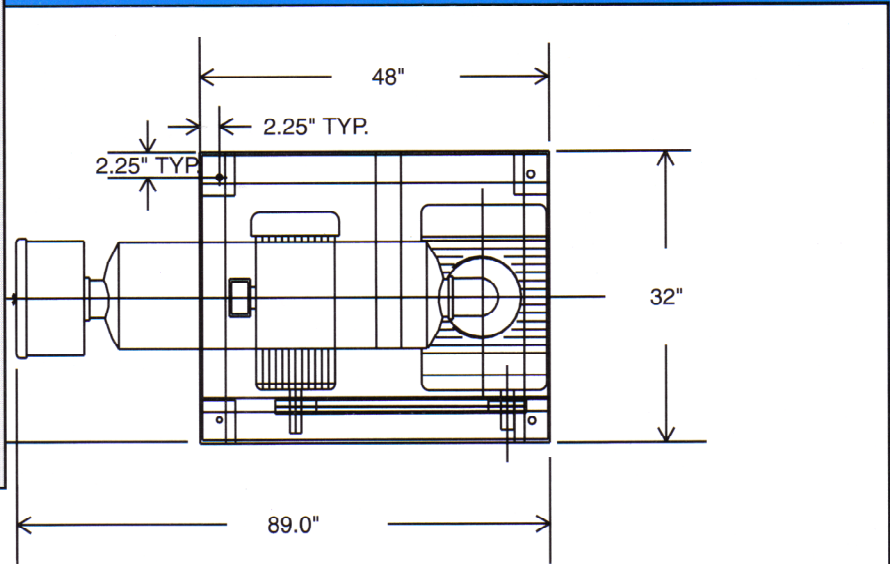


BLOWER PACKAGES

Standard and custom packages
for the process industries



HARDY SYSTEMS CORPORATION
INDUSTRIAL SYSTEMS DESIGNERS
610 ANTHONY TRAIL • NORTHBROOK, IL 60062
Phone: 847/272-4400 Fax: 847/272-4471

Standard and Custom Blower Packages



Our line of standard blower packages is available for a wide variety of positive pressure and vacuum applications, such as mine and tunnel ventilation ; spot cooling of machinery and equipment; aeration and agitation of waste water and other liquids, solids and powders; pneumatic conveying; pressurization and metering of combustion air; gas pressure boosting; industrial vacuum systems, and dust collection systems.

All Hardy Systems blower packages are designed and built to provide smooth operation and long service life, and feature continuously-welded heavy steel angle frames, vibration isolation, and liquid-filled pressure gauges. Dollar for dollar, you won't find a better built blower package.

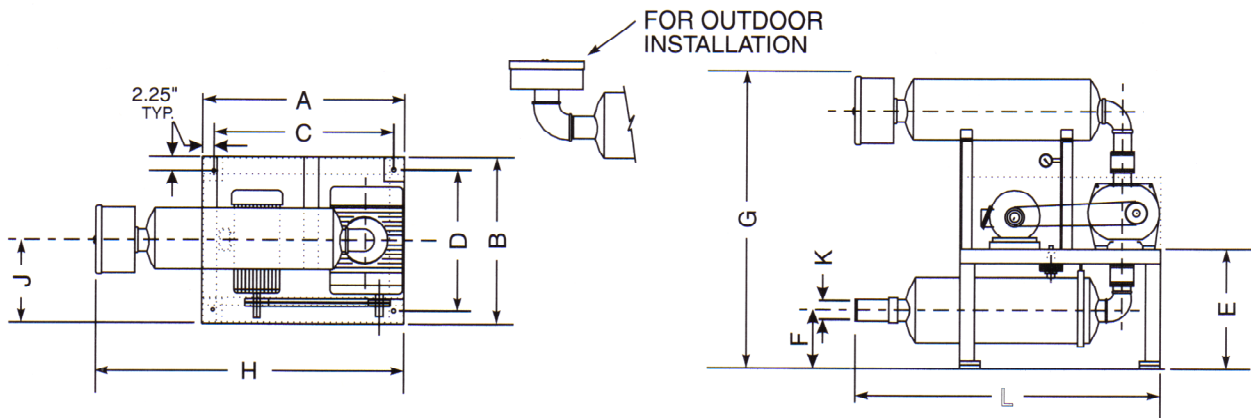
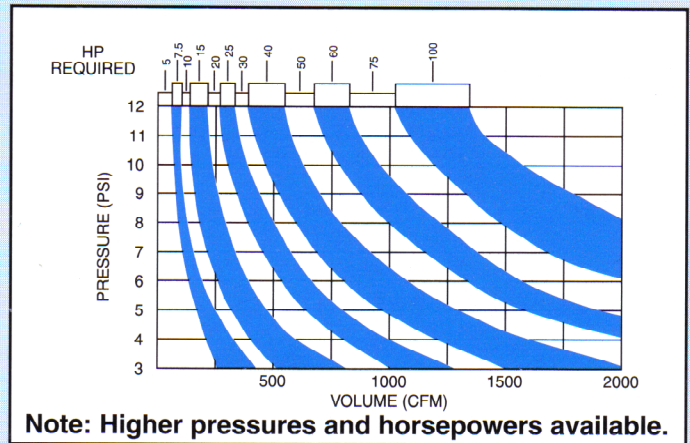
Features and Benefits

- **Single-source responsibility** — completely integrated standard and custom blower packages provide single-supplier responsibility for design, engineering, component selection, construction, and all warranty work . . . eliminates specification, installation and maintenance headaches.
- **Wide range of capacities** — standard positive pressure blower packages available for pressures to 18 PSIG . . . standard vacuum blower packages available for negative pressures to 16 in. HG . . . motor sizes to 200 HP and more. Special applications requiring larger volumes, pressures or vacuums are available upon request.
- **Computerized blower selection** — provides the most efficient, most economical selection of blower, motor and drive . . . helps keep purchase and operating costs to a minimum.
- **Vertical flow design** — provides quieter operation, requires less floor space.
- **Quality components** — all Hardy Systems standard and custom blower packages use only high quality blowers, motors, drives, silencers and other components from reputable manufacturers . . . ensures efficient operation and maximum service life.
- **Heavy gauge, continuously-welded frames** — provides rigid, heavy framework . . . eliminates sway; provides the inertia necessary to keep vibration to a minimum.
- **Standard gauges and relief valves** — liquid-filled pressure/vacuum gauges supplied as standard part of package provide accurate indication of system pressure; relief valves prevent ruptures . . . helps to maintain proper operation and safety.
- **Choice of inlet/outlet connections** — inlet and outlet connections available with threaded or flanged connections to suit a variety of installation requirements.
- **Heavy-gauge steel belt guard** — provides maximum safety, yet is easily removed for service and inspection . . . meets all applicable OSHA requirements.
- **Vibration isolation** — vibration isolation provided on all standard blower packages . . . absorbs vibration; helps to reduce noise, reduces equipment wear and tear.
- **Wide variety of options and accessories** — automatic lube systems, pressure/vacuum switches, temperature gauges, full sound-deadening enclosures, flexible connectors, instrumentation and controls available as an option . . . provides maximum flexibility in a standard package. Custom designed and built blower packages also available.
- **Computer-generated drawings** — all Hardy Systems blower packages are designed and drawn using state-of-the-art CAD systems . . . provides fast availability of drawings for layout and piping.
- **Factory-authorized installation and service** — our network of independent service companies can provide full factory-authorized installation and service in your plant or in the field . . . ensures proper operation and longer equipment service life.

POSITIVE PRESSURE BLOWER PACKAGES

The chart at right provides a quick method of determining the most appropriate size positive pressure blower package required for a specific volume and pressure requirement. Final sizing and specifications are best determined by our engineers, using our computerized blower selection program.

There are several configurations available for our line of standard positive pressure blower packages. In addition to the arrangement shown below, standard positive pressure blower packages are also available without inlet filters and silencers. Please contact us for dimensional information and details on these and other arrangements.



Dimensions — Based on maximum volume at 8 PSI.
Not for construction purposes. Request Certified Drawing.

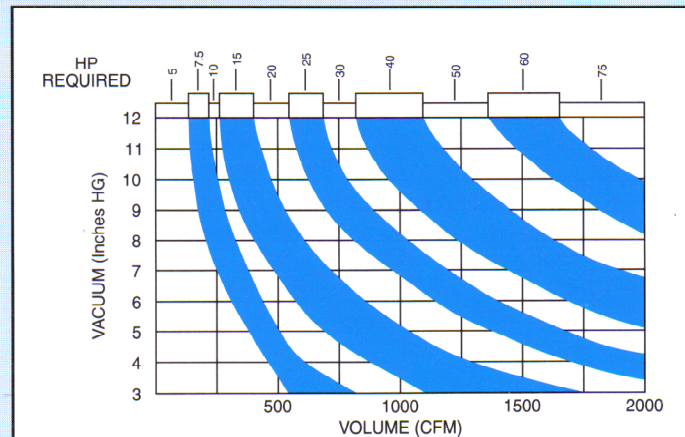
Model No.	Motor HP	Dimensions (Inches)										
		A	B	C	D	E	F	G	H	J	K (ID)	L
HPP-5	5	36	26	31½	21½	18	9	46	50	13	2	49
HPP-7.5	7½	36	26	31½	21½	20	10	52	70	13	2½	50
HPP-10	10	36	26	31½	21½	20	10	52	70	13	3	69
HPP-15	15	48	32	43½	27½	24	12	62	74	13	4	74
HPP-20	20	48	32	43½	27½	24	12	63	74	16	4	65
HPP-25	25	48	32	43½	27½	26	13	65	87	16	5	89
HPP-30	30	48	32	43½	27½	26	13	67	94	16	5	89
HPP-40	40	48	32	43½	27½	37	14	95	89	16	6	78
HPP-50	50	60	48	55½	43½	42	14	99	89	24	8	85
HPP-60	60	60	48	55½	43½	51	16	119	109	24	10	102
HPP-75	75	60	48	55½	43½	51	16	122	109	24	10	100
HPP-100	100	60	48	55½	43½	51	16	123	109	24	10	100

Larger sizes available — consult factory.

NEGATIVE PRESSURE (VACUUM) BLOWER PACKAGES

The chart at right provides a quick method of determining the most appropriate size negative pressure blower package required for a specific volume and vacuum requirement. Final sizing and specifications are best determined by our engineers, using our computerized blower selection program.

There are a number of configurations available for our line of standard negative pressure (vacuum) blower packages. In addition to the arrangement shown below, standard negative pressure blower packages are also available without inlet filters or silencers. Please contact us for dimensional information and details on these and other arrangements.



Note: Higher vacuums and horsepowers available.

Dimensions — Based on maximum volume at 8 inches HG.
Not for construction purposes. Request Certified Drawing

Model No.	Motor HP	Dimensions (Inches)										
		A	B	C	D	E	F	G	H	J	K (ID)	L
HVP-5	5	36	26	31½	21½	20	10	52	78	13	2	48
HVP-7.5	7½	36	26	31½	21½	24	12	58	87	13	3	68
HVP-10	10	36	26	31½	21½	24	12	58	91	13	3	73
HVP-15	15	48	32	43½	27½	26	13	65	100	16	4	74
HVP-20	20	48	32	43½	27½	28	14	70	108	16	5	88
HVP-25	25	48	32	43½	27½	28	14	70	108	16	5	88
HVP-30	30	48	32	43½	27½	32	16	76	120	16	6	98
HVP-40	40	48	32	43½	27½	48	16	99	120	16	8	104
HVP-50	50	60	48	55½	43½	48	16	107	158	24	8	104
HVP-60	60	60	48	55½	43½	48	16	107	158	24	8	131
HVP-75	75	60	48	55½	43½	58	18	118	171	24	10	131

Larger sizes available — consult factory.

CUSTOM PROCESS SYSTEMS

Hardy Systems Corporation has over 30 years of experience designing, building and installing a wide variety of custom process equipment and systems. These include pneumatic conveying systems for food, chemicals and other dry materials; automated control systems, including solid state, relay-logic, and microprocessor based designs; and automatic batch weighing, bulk storage, and dust control systems.

At Hardy Systems, we pride ourselves on producing the best automated process systems possible. From turn-key design, erection and start-up of complete systems to supplying single pieces of equipment, we stand ready to serve your needs.

To find out how we can help you with your next automated production system, call, write or FAX Hardy Systems for a no-obligation consultation today!



HARDY SYSTEMS CORPORATION
INDUSTRIAL SYSTEMS DESIGNERS
610 ANTHONY TRAIL • NORTHBROOK, IL 60062
Phone: 847/272-4400 Fax: 847/272-4471

